



Micronet[®]
Faster and Easier Networks



Micronet SP888D

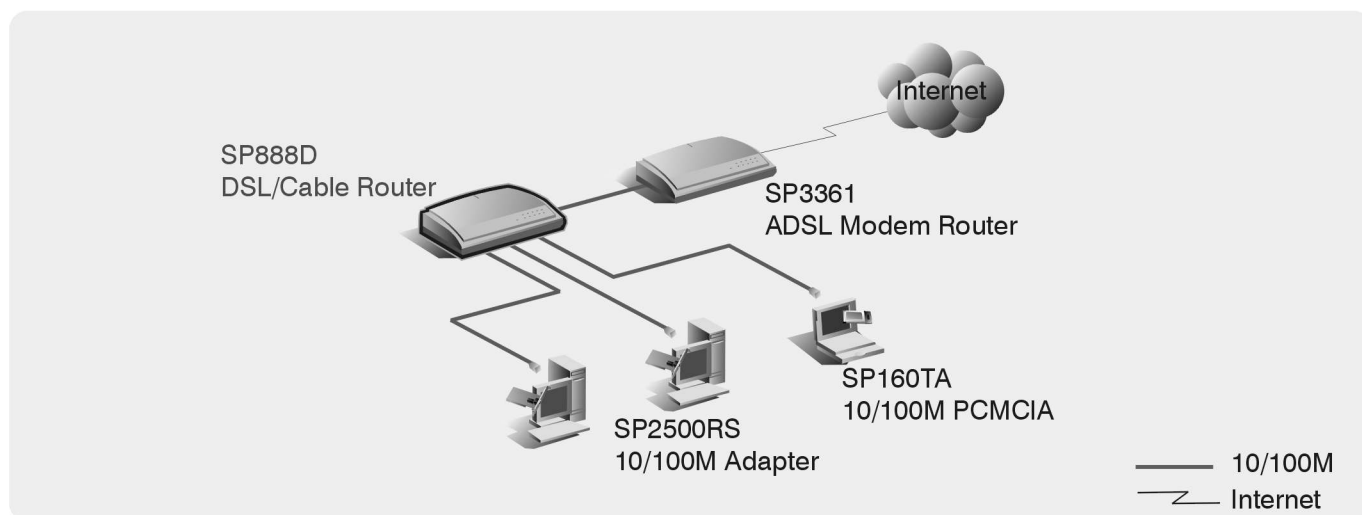
DSL/Cable Router

Micronet SP888D, DSL/Cable Router, delivers highly reliable and scalable network environment at a cost-effective rate. The router allows multiple network devices to share the single Internet connection via xDSL or Cable connection. Supporting MDI/MDIX for auto-negotiation, users can easily expand network using normal RJ-45 cable. Sustain network security via router's in-built firewall and DMZ functions. In addition, the scope of the network can be easily expanded by connecting the router to a hub or switch.



Key Features

- Allow multiple users to share a single Internet line
- Four wired LAN ports (10/100M) and one WAN port (10/100M)
- Support PPPoE, PPTP, Static IP and Dynamic IP for WAN connection
- Advanced network and security features like: Special Applications, Port Mapping, DMZ, Virtual Servers, DDNS, UPnP and ALG
- Enhanced security functions: Firewall, MAC Control and Client Control



DSL/Cable Router

SPECIFICATION AND PRODUCT FEATURES

Model	SP888D
Standard	IEEE802.3x flow control IEEE 802.3 10Base-T, IEEE 802.3u 100Base-Tx, IEEE 802.1x RFC 2516 (PPP over Ethernet)
Hardware Interface	WAN Port: 1 x Port 10/100Mbps UTP LAN Ports: 4 x Port 10/100Mbps UTP
Feature	NAT/NAPT, DDNS Virtual Server, Port Mapping DMZ Host, UPnP, ALG WAN, LAN, DMZ and AP statistics Clone MAC
Firewall	Firewall MAC filter, Client filter, and URL filter
Management	Web-based Interface Remote Management System & Security Log
Power	9V AC, 1A
Operating Temperature	0° C~40° C
Operating Humidity	5%~95%, (Non-condensing)
Weight (g)	167
Dimension (mm)	104 x 75 x 31
Emission	CE

The product specifications are subject to change without prior notice.

ORDERING INFORMATION

Model	Description
SP888D	DSL/Cable Router, 4-port Switch



SP888D DSL/Cable Router

- ① LED Indicator
- ② Power Jack
- ③ Reset Button
- ④ LAN Port
- ⑤ WAN Port

COMPANION PRODUCTS

Consider the following 10/100/1000 Mbps Micronet products as a factor in your network planning.

56K Modem/ ISDN TA

ADSL and Broadband

Digital Signage

Internet Camera

KVM Switch

Media Converter

Medile Communication

Network Interface Card

Powerline

Print Server

Switch

VDSL

IP Telephony

Wireless LAN

Wiring System

Copyright © 2008 Micronet Communications Inc. All technical information in this document is subject to change without prior notice. Micronet, EtherFast and MicroView are registered trademarks of Micronet Communications Inc. Microsoft, Windows, Windows 95, Windows 98, Windows NT, Windows 2000 are registered trademarks of Microsoft Corporation. Novell and Netware are registered trademarks of Novell Inc. All other trademarks and registered trademarks are properties of their respective holders.

Distributor:



Micronet Communications Inc.

E-mail: sales@micronet.info; support@micronet.info Web: http://www.micronet.info