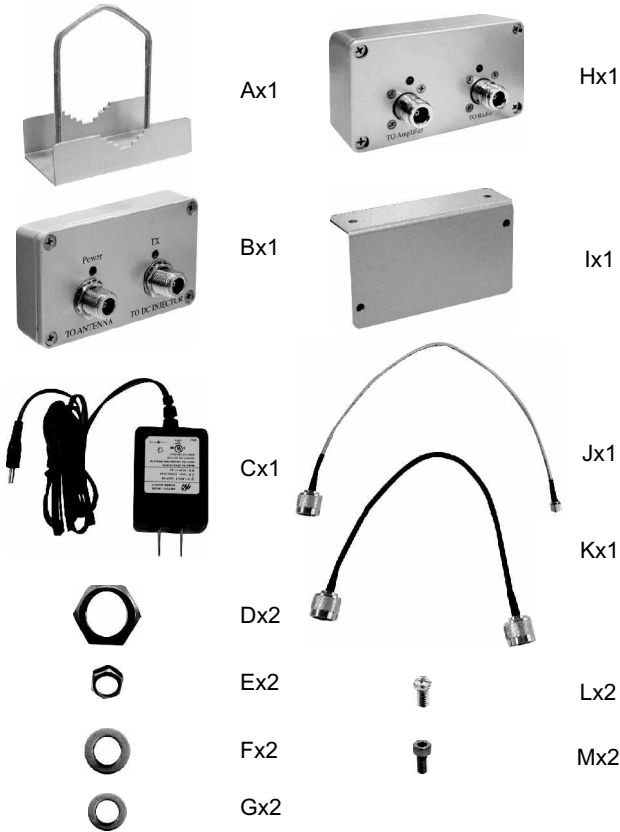


A. Item list

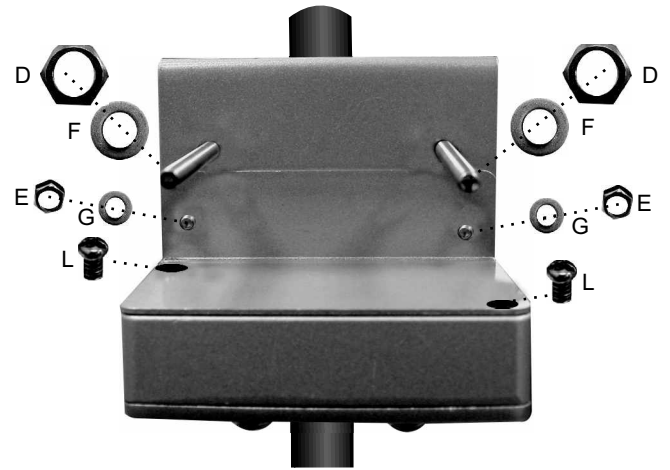
Before you start installing the booster, please verify the following items of the package.



5

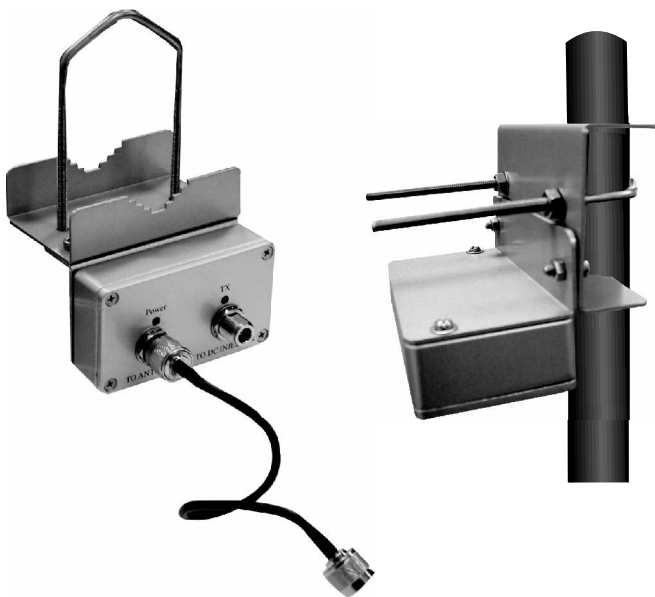
B. How to install SP922 Series

Please make sure the combination as the illustrator.



6

C. Ready to use



Quick Installation Guide

WLAN Auto Gain Booster

Model No.: SP922-500 / SP922-1000



P/N: 2300-0385

<http://www.micronet.info>

7

Introduction

SP922 series is an outdoor solution 500mW/1W bi-directional booster designed for 2.4 GHz wireless LAN. This unit comes with an easy plug-and-play installation, which works together with an indoor Wireless Access point to improve its operation range and performance. The unit is ideal for use with 2.4GHz Frequency Hopping or Direct Sequence Spread Spectrum radio modems and 11 Mbit/sec IEEE 802.11b devices.

Package contents for SP922-500 / SP922-1000

- Micronet SP922 WLAN Auto Gain Booster
- DC Injector
- Quick Installation Manual
- DC Adapter 6V 2A
- Rot mount unit
- N-type male to N-type male cable
- N-type male to SMA female cable

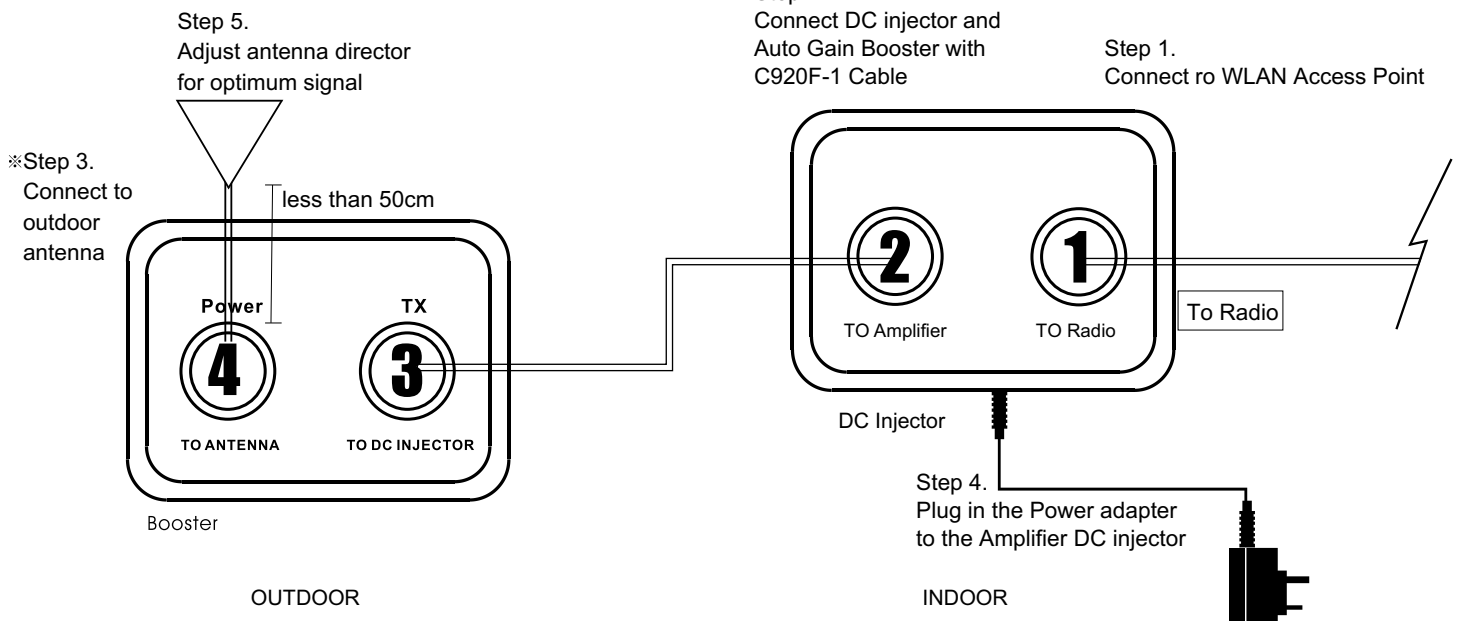
Specification

Model	SP922-500	SP922-1000
Operation Range	2400~2500MHz	
Transmit Gain	27dB	30dB
Frequency Response	±1dB over operating range	
Output Power	500mW	1W
Receiver Gain	15 dB typical	
Noise Figure	3.5 dB typical	
Impedance	50 ohm	
Lightning Protection	Direct DC ground at antenna connector	
DC Surge Protection	at 5V DC input form transmission cable	
Operating Temperature	-20 to 70°C	
Operating Humidity	up to 100% relative humidity	
Power Supply	AC 100-250V, DC 6V, 2A	
Booster Dimension	11.5cm x 6.5cm x 4.5cm (LxWxH)	
DC Injector Dimension	11.5cm x 6.5cm x 4.5cm (LxWxH)	

1

2

Installation



※For best performance, please always keep cable distance from booster to antenna less than 50cm.

Item	Connector on DC Injector
1	N-Type(Female)
2	N-Type(Female)
3	N-Type(Female)
4	N-Type(Female)

3

4